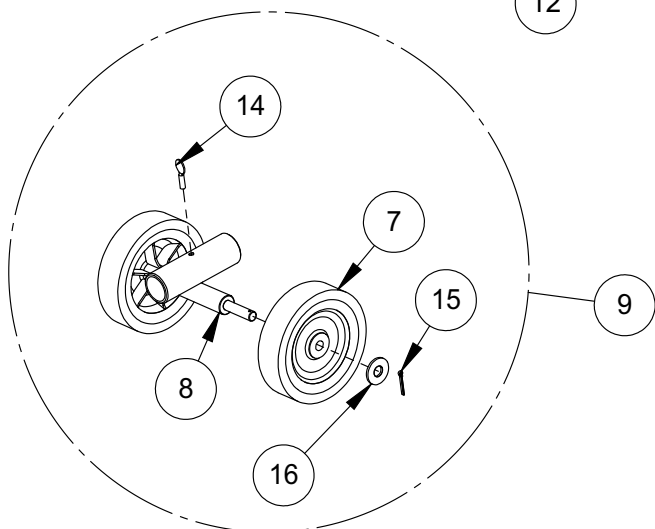
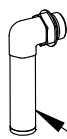
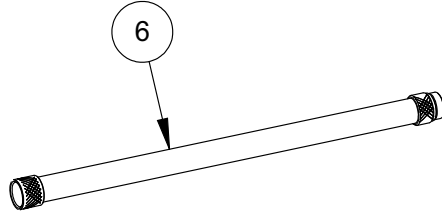
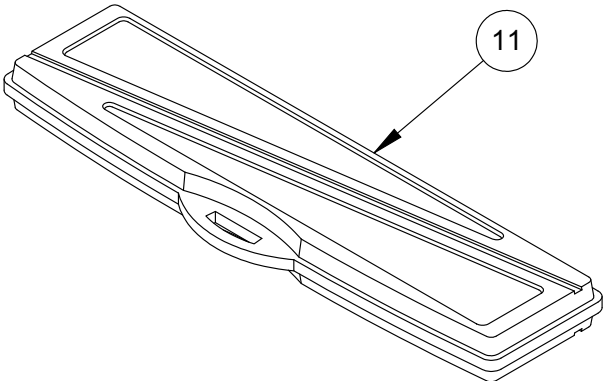
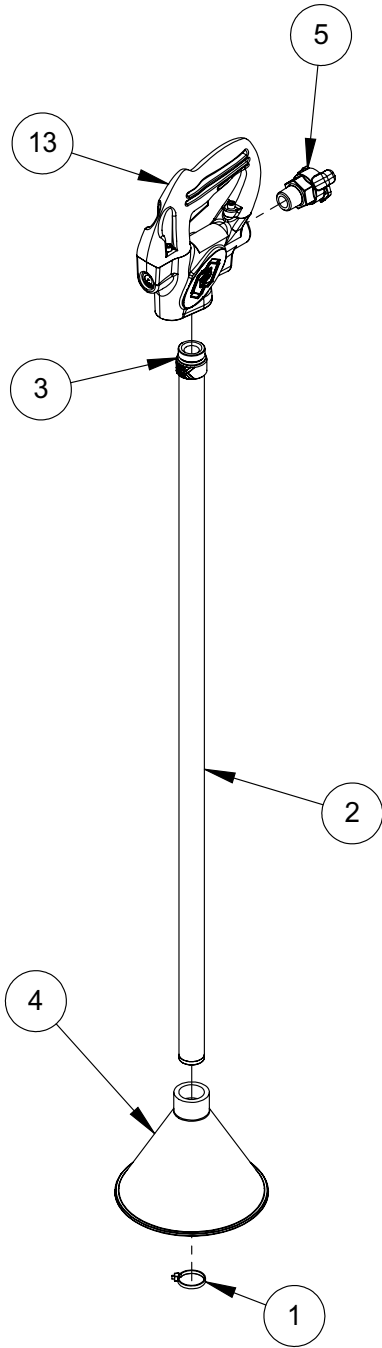
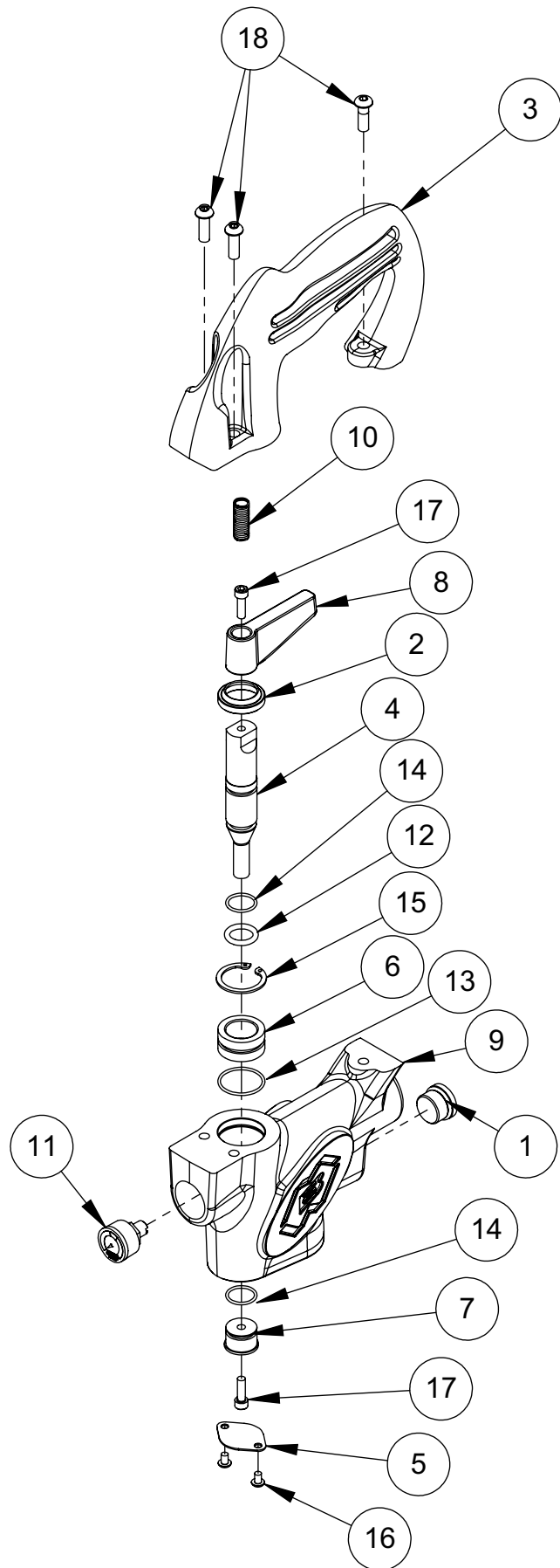


ACCESSORIES



Main Assembly

ITEM	PART NO.	DESCRIPTION	QTY
1.	01291	CABLE TIE	1
2.	03820	BARREL ASSEMBLY, 80 CFM (Includes 1,3,4)	1
	03813	BARREL ASSEMBLY, 125 CFM (Includes 1,3,4)	1
	17594	BARREL ASSEMBLY, 160 CFM (Includes 1,3,4)	1
3.	03817	O-RING	1
4.	03829	DEFLECTOR	1
5.	03841	FITTING, COUPLER DIXON AM-7 (CLAW COUPLER)	1
	17599	FITTING, COUPLER, DIXON DML12 (QUICK CONNECT)	1
6.	03848	BARREL ASM, 42" EXTENSION	1
	03849	BARREL ASM, 21" EXTENSION	1
7.	11540	WHEEL	2
8.	11541	CART, WELDMENT	1
9.	11542	KIT, SOIL PICK CART (INCLUDES 7, 8, 14,15,16)	1
10.	17748	NOZZLE, 80CFM, 45 DEG	1
	17749	NOZZLE, 125CFM, 45 DEG	1
	17750	NOZZLE, 160CFM, 45 DEG	1
11.	19358	KIT, CASE, SOIL PICK	1
12.	19750	NOZZLE, 65 CFM, 90 DEG	1
	19751	NOZZLE, 80 CFM, 90 DEG	1
	19749	NOZZLE, 125 CFM, 90 DEG	1
	19752	NOZZLE, 160 CFM, 90 DEG	1
13.	20450	HANDLE ASM, ERGO	1
14.	F042004TS	SCREW, THUMB, 1/4-20 X 1/2	1
15.	F0208CP	PIN, COTTER 1/8 X 1	2
16.	F08LW	WASHER 1/2"	2
			1



Handle Assembly

ITEM	PART NO.	DESCRIPTION	QTY
1.	17250	FITTING, PLUG	1
2.	19430	SHAFT WIPER SEAL, 3/4 ID X 1-1/8 OD	1
3.	20451	HANDLE, SOIL PICK	1
4.	20452	VALVE SPOOL	1
5.	20453	COVER, BOTTOM	1
6.	20454	GUIDE, TOP	1
7.	20455	BOTTOM SPOOL (20455: before SN 3830125 use 20677)	1
8.	20456	TRIGGER	1
9.	20457	VALVE BODY, MACHINED	1
10.	20459	SPRING, TRIGGER	1
11.	20460	GAGE, SLOTTED	1
12.	20461	O-RING, 9/16 ID X .125	1
13.	20462	O-RING, 1 ID X .0625	1
14.	20463	O-RING, 5/8 ID X .0625	2
15.	20587	RETAINING RING, INT. 1.125	1
16.	F023202BCS	BCS, TORX, #8-32 X 1/4"	2
17.	F033205BCS	BCS, TORX, #10-32 X 5/8"	2
18.	F042006BCS	BCS, TORX, 1/4-20 X 3/4"	3
	20565	REBUILD KIT, SOIL PICK (CONTAINS 2, 12, 13, 14)	