

## K2500

Reservdelar

Spare parts

Ersatzteile

Pieces de rechange

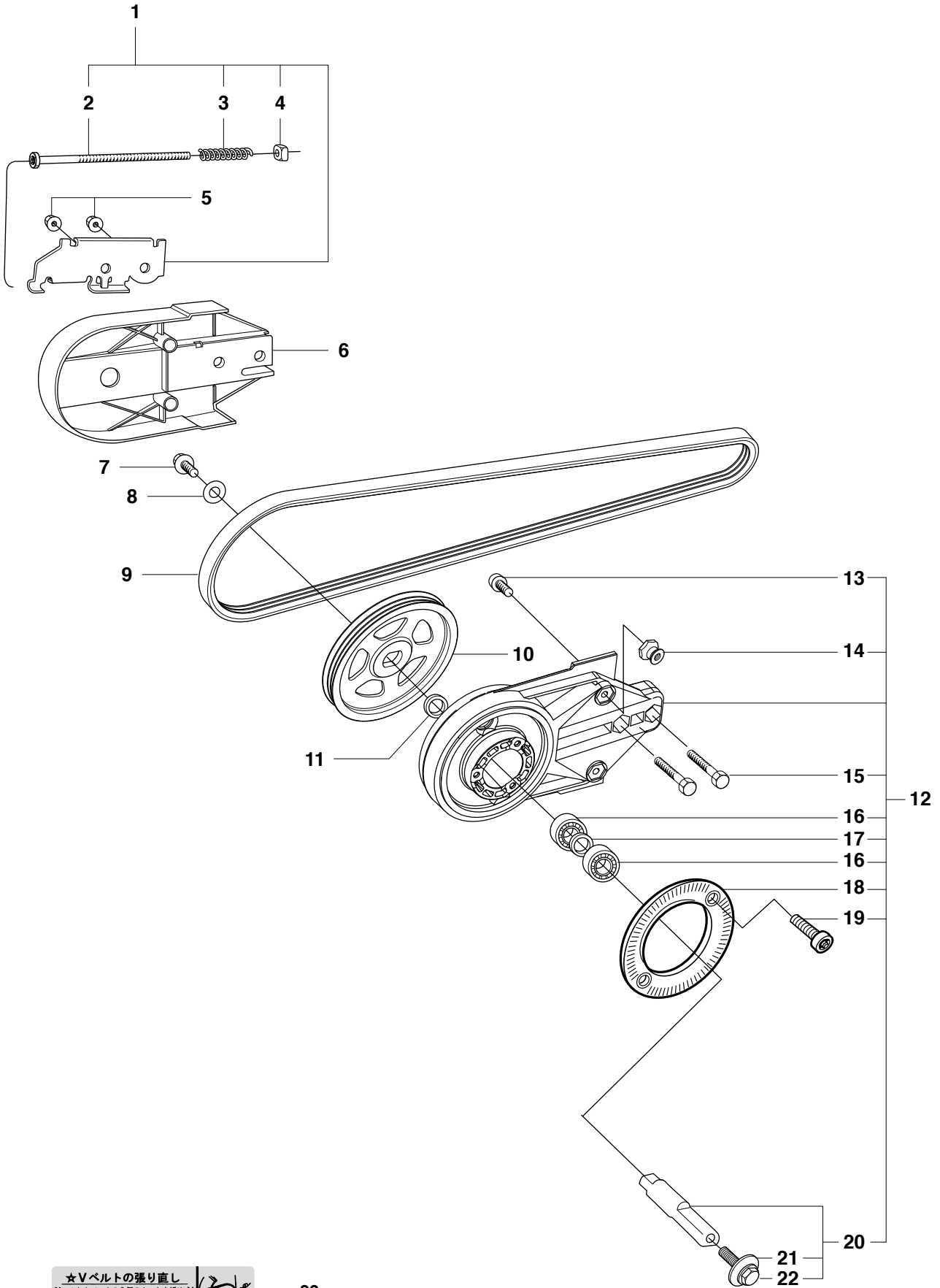
Piezas de repuesto

Ricambi

Peças sobresselente

No.	Pos.	Description	No.	Pos.	Description
501 62 89-09	C	HANDLE INSERT	506 28 41-22	B	LABEL
503 20 00-45	A	SCREW COLLAR	506 28 41-24	B	LABEL
503 20 72-20	A	SCREW	506 28 84-01	A	SCREEN PATTERN FLANG
503 21 28-10	C	SCREW	506 29 57-02	F	NIPPLE
503 21 53-10	A	SCREW	506 29 83-71	A	SHAFT
503 21 53-16	C	SCREW	506 29 88-01	F	FILTER
503 21 53-20	BD	SCREW	506 30 11-14	D	SEALING
503 21 53-21	D	SCREW	506 30 97-05	A	LABLE
503 21 53-41	C	SCREW	506 32 00-02	D	SHAFT
503 21 53-45	D	SCREW	506 32 48-01	B	SUPPORT FLANGE
503 21 53-49	C	SCREW	506 34 05-46	B	WHEEL GUARD
503 21 54-20	F	SCREW	506 34 46-02	B	HANDLE
503 22 00-01	A	NUT FLANGE	506 34 67-15	D	SHAFT KIT
503 22 65-04	C	NUT	506 37 96-20	B	BUSHING
503 22 66-01	A	NUT	506 37 96-22	B	BUSHING
503 23 01-04	A	WASHER STEEL	506 37 96-25	B	BUSHING
503 23 01-16	A	WASHER STEEL	506 38 26-01	G	COMBINATION TOOL
503 24 07-01	D	PIN	506 38 60-12	F	VALVE ASSY
503 25 21-01	A	BALL BEARING	506 41 34-04	A	BEARING HOUSING ASSY
503 26 30-28	D	O-RING	506 49 87-01	F	HOSE CLAMP
503 26 60-03	F	COUPLER	506 49 87-02	F	HOSE CLAMP
503 26 60-04	F	COUPLER	506 60 68-06	F	HOSE
504 03 83-01	D	SPACING SLEEVE	506 60 75-01	F	HOSE
504 63 42-01	F	NIPPLE	544 21 84-30	D	SCREW
504 63 44-01	F	HOUSING	544 87 27-01	C	LABLE
504 63 45-01	F	HOUSING	544 87 32-01	C	DECAL
504 63 46-01	F	SCREW	544 88 66-04	D	HYDRAULIC MOTOR
505 09 54-01	F	HOSE KIT	544 92 68-01	F	INTERLAYER
505 09 55-01	F	HOSE KIT	544 97 63-03	A	BELT
505 10 35-01	F	O-RING	544 98 09-01	D	PULLEY
505 52 42-01	F	VALVE SPINDLE	544 98 50-01	A	PULLEY
505 57 41-16	ABC	SCREW	576 12 10-03	B	LABEL
506 01 45-06	C	THROTTLE LOCKOUT	720 13 10-00	C	PIN
506 02 87-01	B	FLANGE WASHER	724 32 19-05	C	SCREW
506 02 88-30	B	BUSHING	732 25 12-01	D	NUT
506 03 06-03	A	BELT TENSIONER ASSY	735 31 08-20	D	E-RING
506 03 32-02	A	SCREW	735 31 14-00	D	CIRCLIP
506 07 09-01	B	FLANGE WASHER	735 31 31-10	D	CIRCLIP
506 09 87-02	A	BELT GUARD	735 88 06-00	D	WOODRUFF KEY
506 10 95-02	E	HYDRAULIC HOSE	738 22 01-25	D	BALL BEARING
506 10 96-21	E	QUICK COUPLING FEMALE	740 38 27-01	E	WASHER
506 10 98-21	E	QUICK COUPLING MALE	740 38 34-01	E	WASHER
506 11 03-01	D	O-RING	740 42 03-00	D	O-RING
506 11 05-01	D	BEARING	740 43 02-00	D	O-RING
506 13 95-11	A	WASHER	740 43 11-00	D	O-RING
506 13 96-01	A	COLLAR SCREW			
506 14 32-01	A	TORSION STOP			
506 20 16-02	C	HANDLE HALF			
506 20 18-01	A	SPACING SLEEVE			
506 20 27-02	D	SUPPORT FLANGE			
506 20 28-02	C	BELT GUARD			
506 20 29-03	C	FRONT HANDLE			
506 20 31-01	D	LEVER			
506 20 33-02	C	THROTTLE ROD			
506 20 34-03	C	THROTTLE TRIGGER			
506 20 36-02	C	CHASSIS			
506 20 38-01	D	SPRING			
506 21 59-01	D	VALVE SPINDLE			
506 21 60-01	D	VALVE SLEEVE			
506 21 80-01	D	VALVE CONE			
506 21 81-01	D	SPRING			
506 21 82-01	D	PLUNGE			
506 21 83-01	D	SPRING			
506 21 85-01	D	VALVE SEAT			
506 21 95-01	A	COMPRESSION SPRING			
506 23 09-03	D	HOUSING			
506 23 35-02	D	HOUSING			
506 26 63-02	B	LINING			
506 26 64-01	B	SCREEN PATTERN FLANG			
506 26 65-01	B	FLANGE			

**A** K2500



★Vベルトの張り直し

Vベルトカバー上の2個のナットを緩め、V

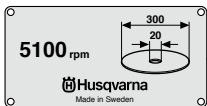
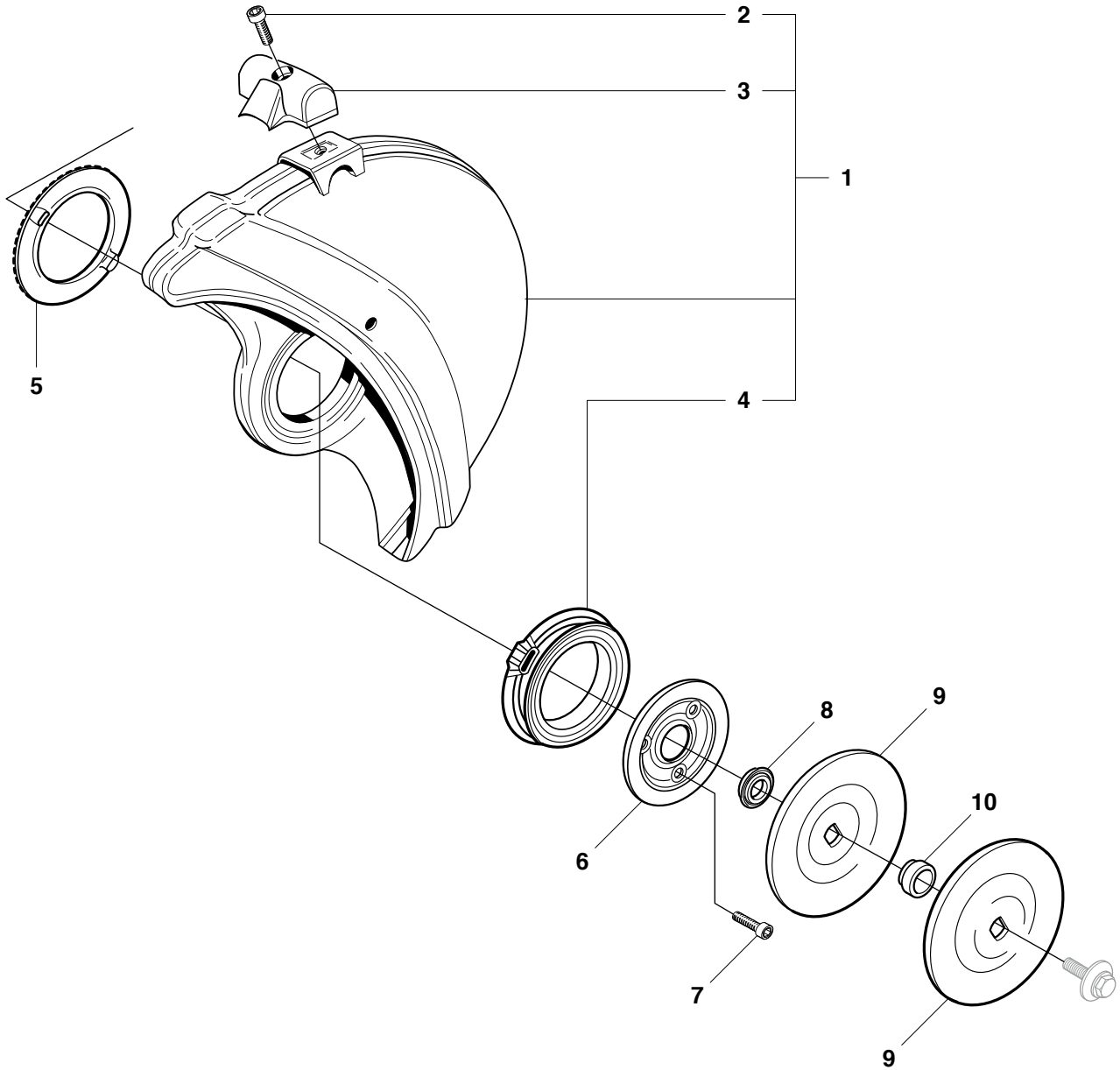
ベルトカバーの「A」ナットを緩め、ナットを



23

**Page A**  
**K2500**

Pos.	Part No.	Description	Quantity	Notes	New Part
1	506 03 06-03	BELT TENSIONER ASSY	1	Incl. 2 - 4	New Part
2	503 20 72-20	SCREW	1		New Part
3	506 21 95-01	COMPRESSION SPRING	1		
4	503 22 66-01	NUT	1		
5	503 22 00-01	NUT FLANGE	2		
6	506 09 87-02	BELT GUARD	1		
7	503 20 00-45	SCREW COLLAR	1		
8	503 23 01-16	WASHER STEEL	1		
9	544 97 63-03	BELT	1		
10	544 98 50-01	PULLEY	1		
11	503 23 01-04	WASHER STEEL	1		
12	506 41 34-04	BEARING HOUSING ASSY	1	Incl. 13 - 20	New Part
13	505 57 41-16	SCREW	1		New Part
14	506 14 32-01	TORSION STOP	1		New Part
15	506 03 32-02	SCREW	2		
16	503 25 21-01	BALL BEARING	2		
17	506 20 18-01	SPACING SLEEVE	1		
18	506 28 84-01	SCREEN PATTERN FLANG	1		
19	503 21 53-10	SCREW	2		New Part
20	506 29 83-71	SHAFT	1	Incl. 21 - 22	
21	506 13 95-11	WASHER	1		
22	506 13 96-01	COLLAR SCREW	1		
23	506 30 97-05	LABLE	1	Japan only	New Part



11

**△ 取扱上のご注意 △**

ハスクバーナカッターは、取扱いを誤ると危険を及ぼすことがあります。安全作業のために取扱説明書に従ってください。

- このハスクバーナカッターは、全ての使用方法、メンテナンス方法、安全指示内容を、良く読み、理解した上で取扱ってください。
- 高速度として増強され、ハスクバーナカッター用として設定された砥石以外は使用できません。
- 使用前に砥石、ディスクカッターに損傷がないか点検して下さい。
- 耳栓、防護メガネ、ヘルメット、安全手袋、安全作業服、安全作業靴、防塵マスク等、使用して下さい。
- 傍観者は、作業場所から遠ざけて下さい。
- アスクカッター直撃を切断部に発熱させるように制御して下さい。
- 切断中は、ブレドをこじったり、無理に押し付けたりしないで下さい。
- 説明書の他の注意事項についても遵守して下さい。

本フレートカッターで取扱い可能な砥石の基本的仕様は以下の通りです。

使用砥石サイズ	φ400 X 5,0 (mm)
最高使用回転速度	96 m/sec

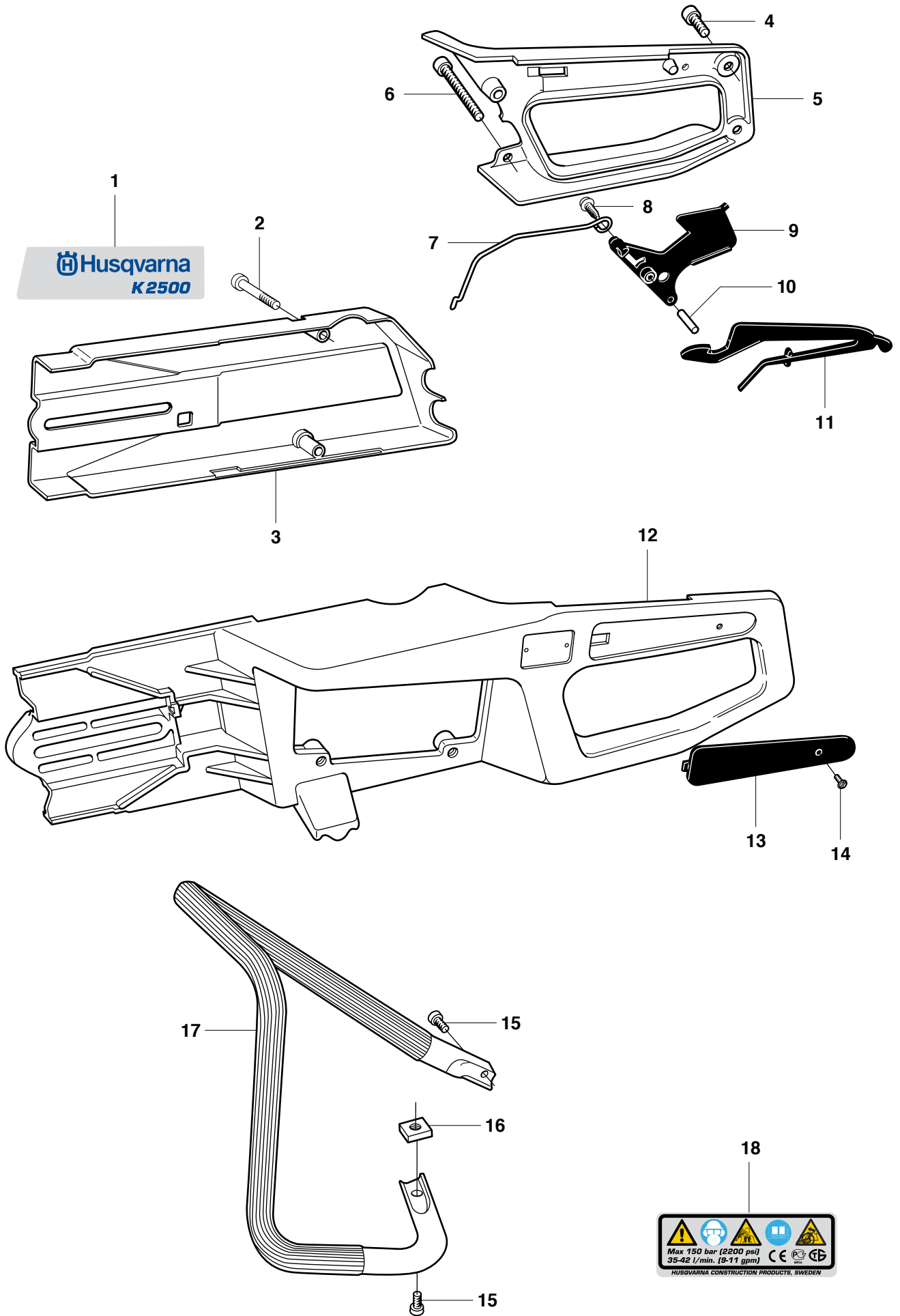
**12**

**Page B**  
**K2500**

Pos.	Part No.	Description	Quantity	Notes	New Part
1	506 34 05-46	WHEEL GUARD	1	Incl. 2 - 4	
2	503 21 53-20	SCREW	1		
3	506 34 46-02	HANDLE	1		
4	506 26 63-02	LINING	1		
5	506 26 64-01	SCREEN PATTERN FLANG	1		
6	506 26 65-01	FLANGE	1		
7	505 57 41-16	SCREW	3		New Part
8	506 32 48-01	SUPPORT FLANGE	1		
9	506 02 87-01	FLANGE WASHER	1	Diam 105mm	
9	506 07 09-01	FLANGE WASHER	1	Diam 119mm	
10	506 37 96-20	BUSHING	1	Diam 20mm	
10	506 37 96-22	BUSHING	1	Diam 22,2mm	
10	506 37 96-25	BUSHING	1	Diam 25,4mm	
10	506 02 88-30	BUSHING	1	Diam 30,5mm	
11	506 28 41-22	LABEL	1	Diam 20mm	
11	506 28 41-24	LABEL	1	Diam 25,4mm	
12	576 12 10-03	LABEL	1	16", Japan only	New Part

**C** K2500

 **Husqvarna**  
K2500

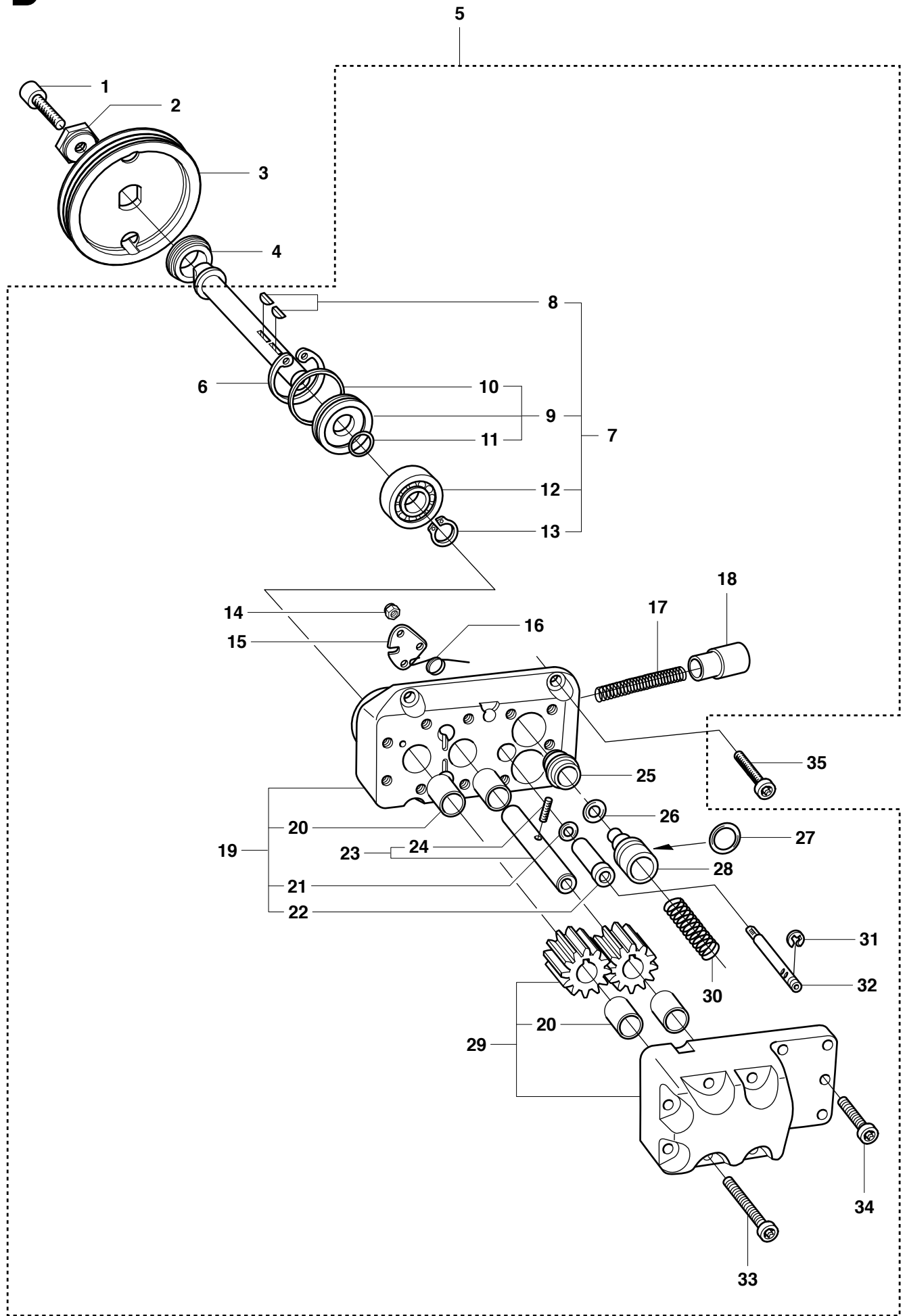


**Page C**  
**K2500**

<b>Pos.</b>	<b>Part No.</b>	<b>Description</b>	<b>Quantity</b>	<b>Notes</b>	<b>New Part</b>
1	544 87 27-01	LABLE	1		
2	503 21 53-41	SCREW	2		New Part
3	506 20 28-02	BELT GUARD	1		
4	505 57 41-16	SCREW	2		New Part
5	506 20 16-02	HANDLE HALF	1		
6	503 21 53-49	SCREW	1		New Part
7	506 20 33-02	THROTTLE ROD	1		
8	503 21 28-10	SCREW	1		
9	506 20 34-03	THROTTLE TRIGGER	1		
10	720 13 10-00	PIN	1		
11	506 01 45-06	THROTTLE LOCKOUT	1		
12	506 20 36-02	CHASSIS	1		
13	501 62 89-09	HANDLE INSERT	2		
14	724 32 19-05	SCREW	2		
15	503 21 53-16	SCREW	2		New Part
16	503 22 65-04	NUT	1		
17	506 20 29-03	FRONT HANDLE	1		
18	544 87 32-01	DECAL	1		New Part

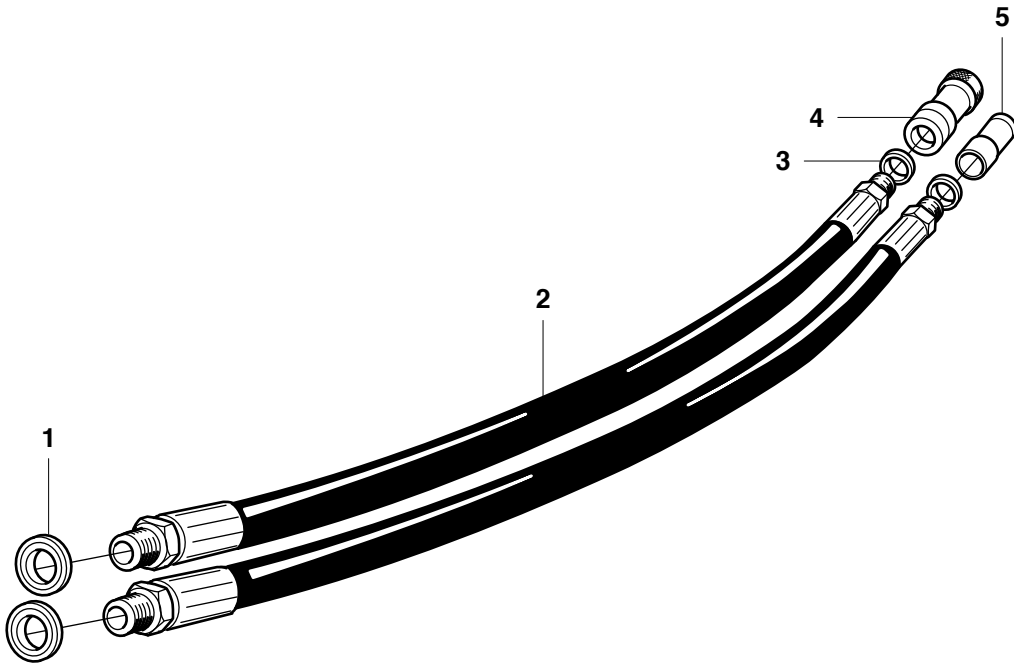


**D** K2500



**Page D**  
**K2500**

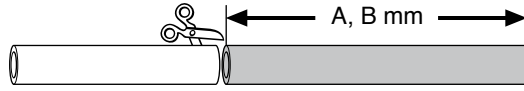
Pos.	Part No.	Description	Quantity	Notes	New Part
1	544 21 84-30	SCREW	1		New Part
2	504 03 83-01	SPACING SLEEVE	1		New Part
3	544 98 09-01	PULLEY	1		
4	506 20 27-02	SUPPORT FLANGE	1		
5	544 88 66-04	HYDRAULIC MOTOR	1	Incl. 6 - 34	New Part
6	735 31 31-10	CIRCLIP	1		
7	506 34 67-15	SHAFT KIT	1	Incl. 8 - 9, 12 - 13	
8	735 88 06-00	WOODRUFF KEY	2		
9	506 30 11-14	SEALING	1	Incl. 10 - 11	
10	506 11 03-01	O-RING	1		
11	503 26 30-28	O-RING	1		
12	738 22 01-25	BALL BEARING	1		
13	735 31 14-00	CIRCLIP	1		
14	732 25 12-01	NUT	1		
15	506 20 31-01	LEVER	1		
16	506 20 38-01	SPRING	1		
17	506 21 83-01	SPRING	1		
18	506 21 82-01	PLUNGE	1		
19	506 23 35-02	HOUSING	1	Incl. 20 - 22	
20	506 11 05-01	BEARING	4		
21	740 43 02-00	O-RING	1		
22	506 21 60-01	VALVE SLEEVE	1		
23	506 32 00-02	SHAFT	1	Incl. 24	
24	503 24 07-01	PIN	1		
25	506 21 85-01	VALVE SEAT	1		
26	740 42 03-00	O-RING	1		
27	740 43 11-00	O-RING	1		
28	506 21 80-01	VALVE CONE	1		
29	506 23 09-03	HOUSING	2	Incl. 30	
30	506 21 81-01	SPRING	1		
31	735 31 08-20	E-RING	1		
32	506 21 59-01	VALVE SPINDLE	1		
33	503 21 53-45	SCREW	6		New Part
34	503 21 53-21	SCREW	5		New Part
35	503 21 53-20	SCREW	4		New Part



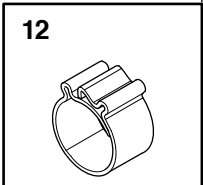
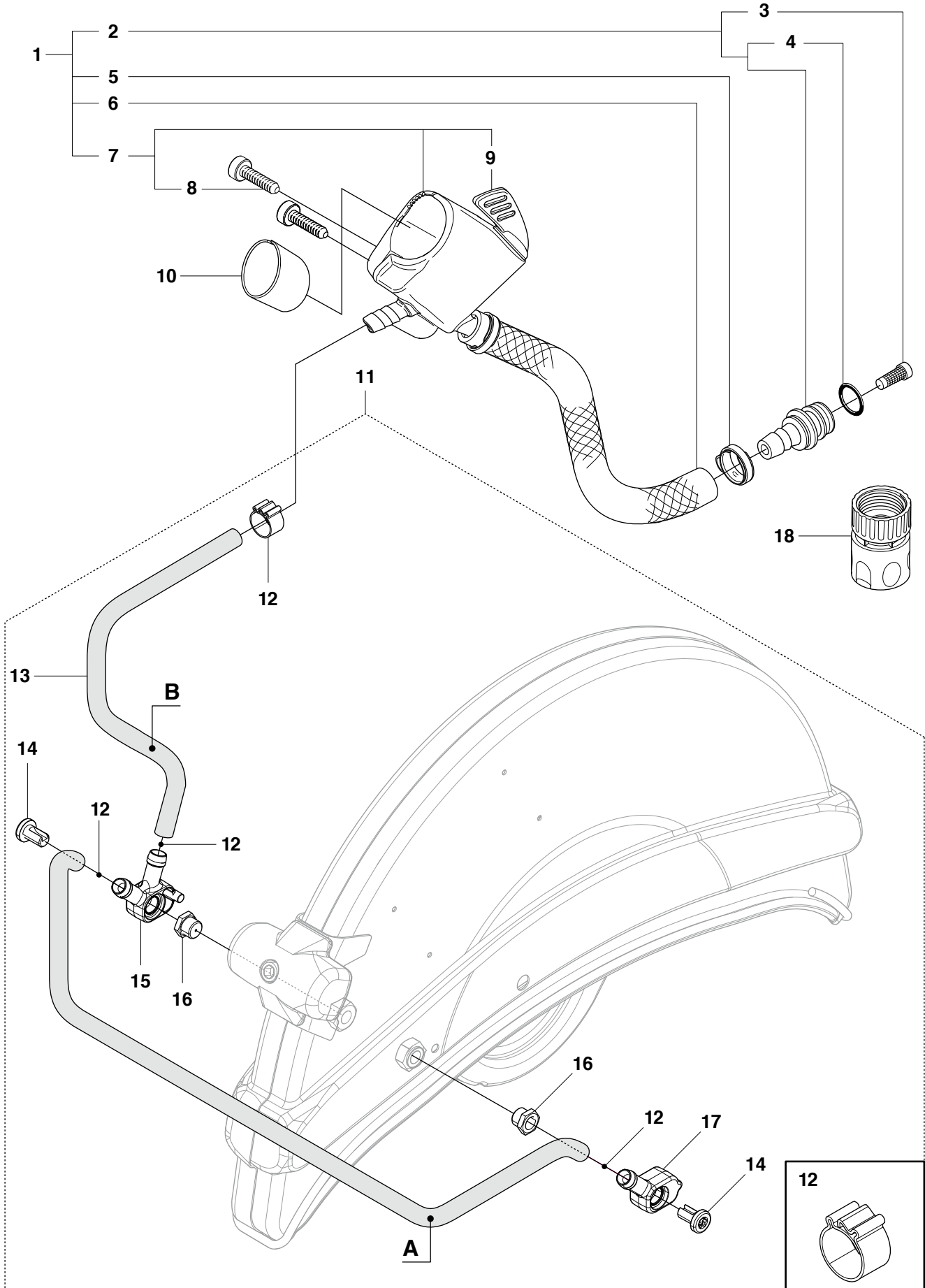
**Page E**  
**K2500**

<b>Pos.</b>	<b>Part No.</b>	<b>Description</b>	<b>Quantity</b>	<b>Notes</b>	<b>New Part</b>
1	740 38 27-01	WASHER	2		
2	506 10 95-02	HYDRAULIC HOSE	2		
3	740 38 34-01	WASHER	2		
4	506 10 96-21	QUICK COUPLING FEMALE	1		
5	506 10 98-21	QUICK COUPLING MALE	1		

**F** K2500



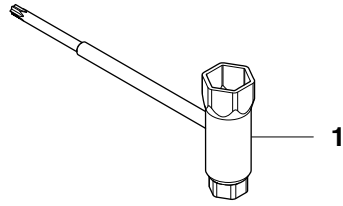
	A (mm)	B (mm)
K2500	230	320



**Page F**  
**K2500**

<b>Pos.</b>	<b>Part No.</b>	<b>Description</b>	<b>Quantity</b>	<b>Notes</b>	<b>New Part</b>
1	505 09 55-01	HOSE KIT	1	Incl. 2, 5 - 7	New Part
2	506 29 57-02	NIPPLE	1	Incl. 3, 4	
3	506 29 88-01	FILTER	1		
4	505 10 35-01	O-RING	1		
5	506 49 87-02	HOSE CLAMP	2		
6	506 60 75-01	HOSE	1		
7	506 38 60-12	VALVE ASSY	1	Incl. 8	
8	503 21 54-20	SCREW	2		New Part
9	505 52 42-01	VALVE SPINDLE	1		New Part
10	544 92 68-01	INTERLAYER	1		New Part
11	505 09 54-01	HOSE KIT	1	Incl. 11 - 16	
12	506 49 87-01	HOSE CLAMP	4		
13	506 60 68-06	HOSE	1	620 mm	
14	504 63 46-01	SCREW	2		
15	504 63 44-01	HOUSING	1		
16	504 63 42-01	NIPPLE	2		
17	504 63 45-01	HOUSING	1		
18	503 26 60-03	COUPLER	1	USA, Canada	
18	503 26 60-04	COUPLER	1		

**G** K2500  
Accessories  
Zubehöre  
Accessoires  
Acessorios  
Tillbehör



**Page G**  
**K2500**

<b>Pos.</b>	<b>Part No.</b>	<b>Description</b>	<b>Quantity</b>	<b>Notes</b>	<b>New Part</b>
1	506 38 26-01	COMBINATION TOOL	1		New Part